

System drawings and overview

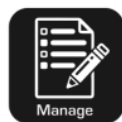
Wall Thickness:		
Track	2 11/16"	68.4mm
Panel outside to outside	2 17/32"	64.4mm
Panel thickness	5/8"	15.88mm
Internal cavity	1 1/4"	31.8mm
Glass Thickness:		
Glass walls and framed swing doors	1/4"	6mm
Framless pivot doors	13/32"	10mm
Frameless barn doors	13/32"	10mm
STC Performance:		
Solid wall - without sound insulation	35 STC	

Address:

2895 Argentia Road
Unit #6, Mississauga
ON L5N 8G6 CA

Tel: (905) 814-7800

Fax: (905) 814-0774



Manage



Design



Manufacture



Furnish



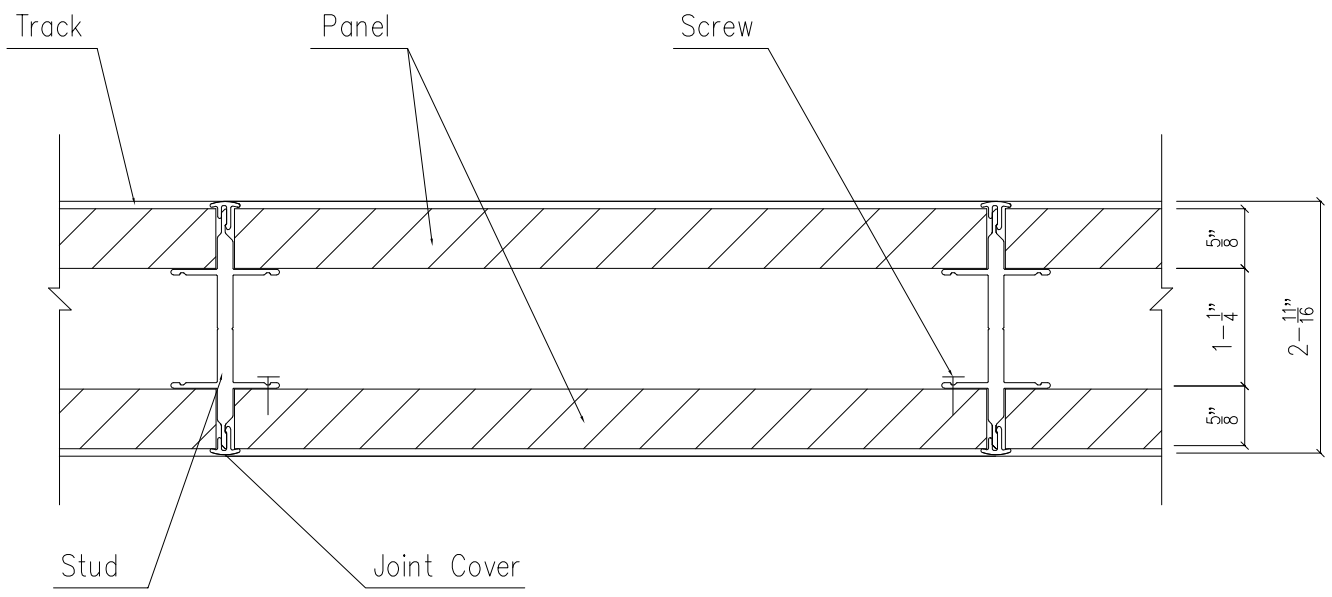
Moving



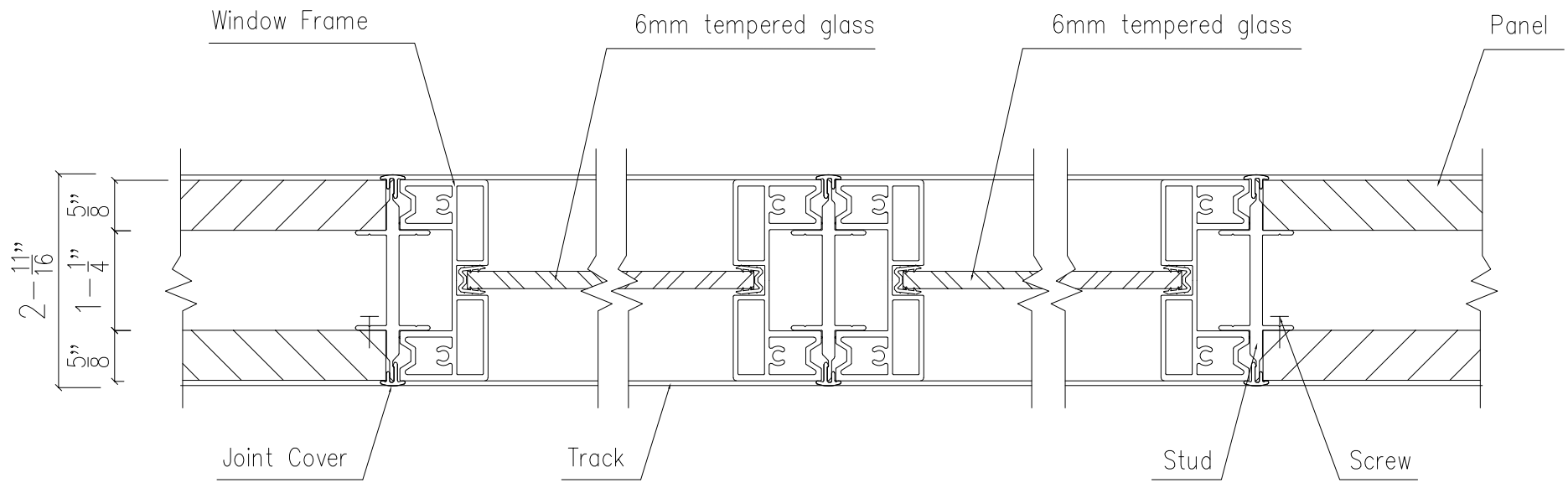
Install



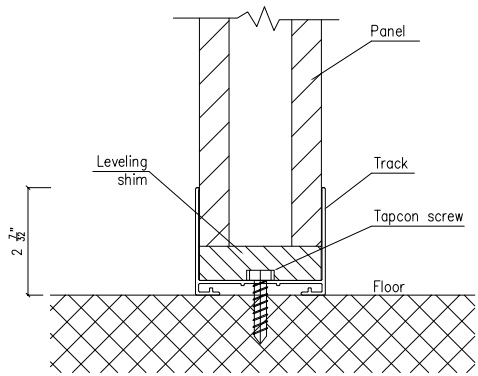
Finance



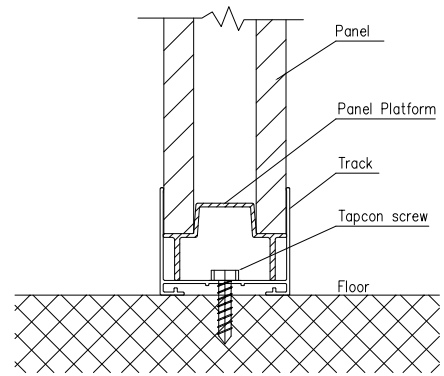
DRAWING TITLE:
LINEAR WALL MODULE



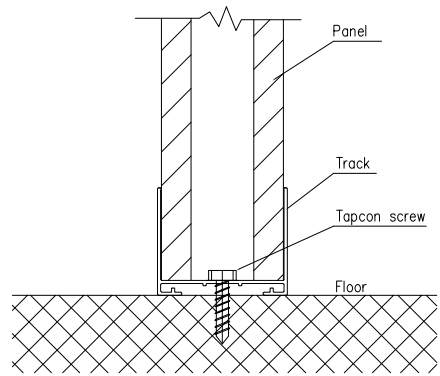
DRAWING TITLE:
 GLASS WALL MODULE



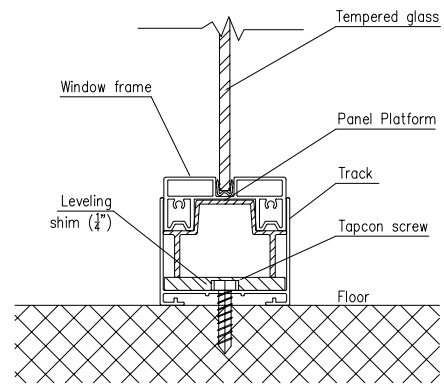
With ceiling



With ceiling



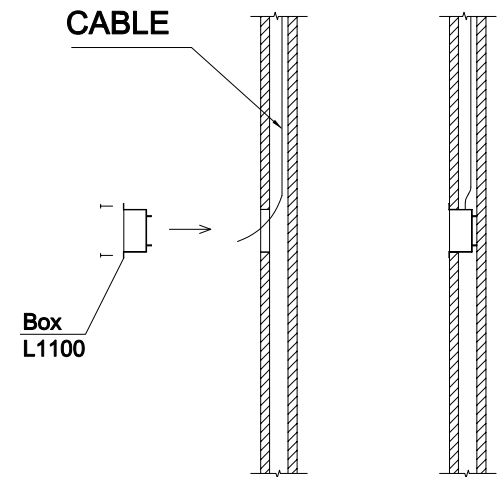
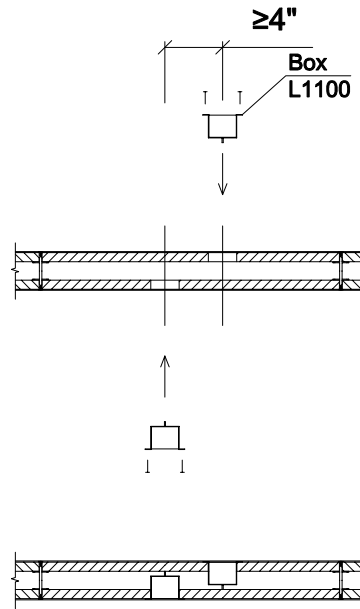
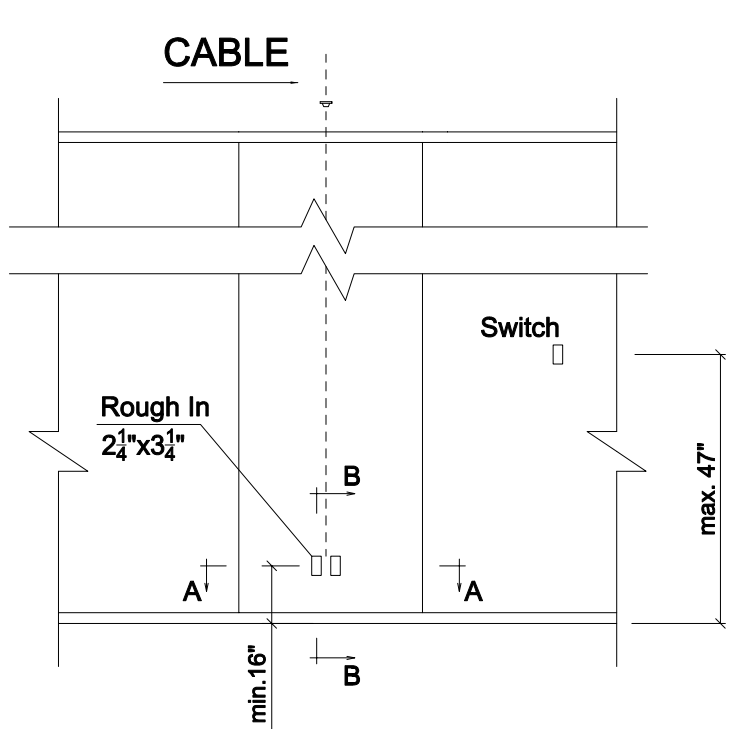
Free standing



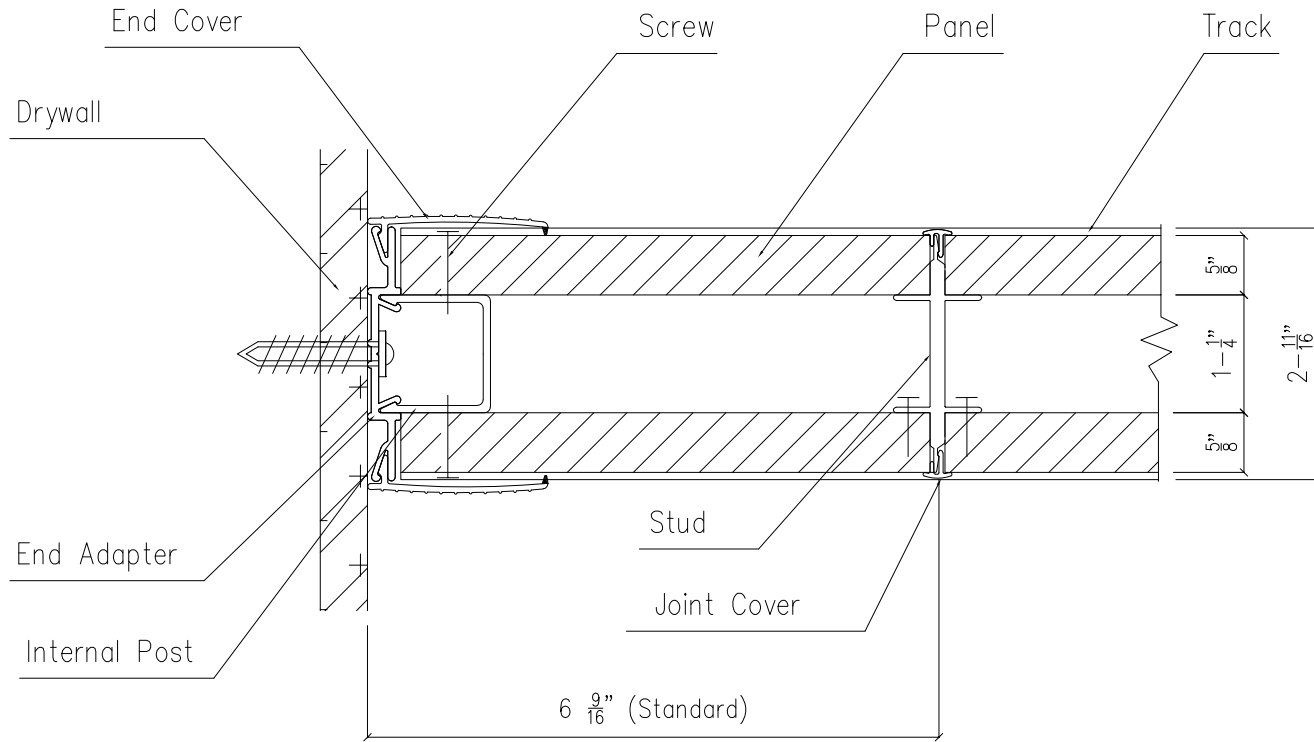
Full high glass



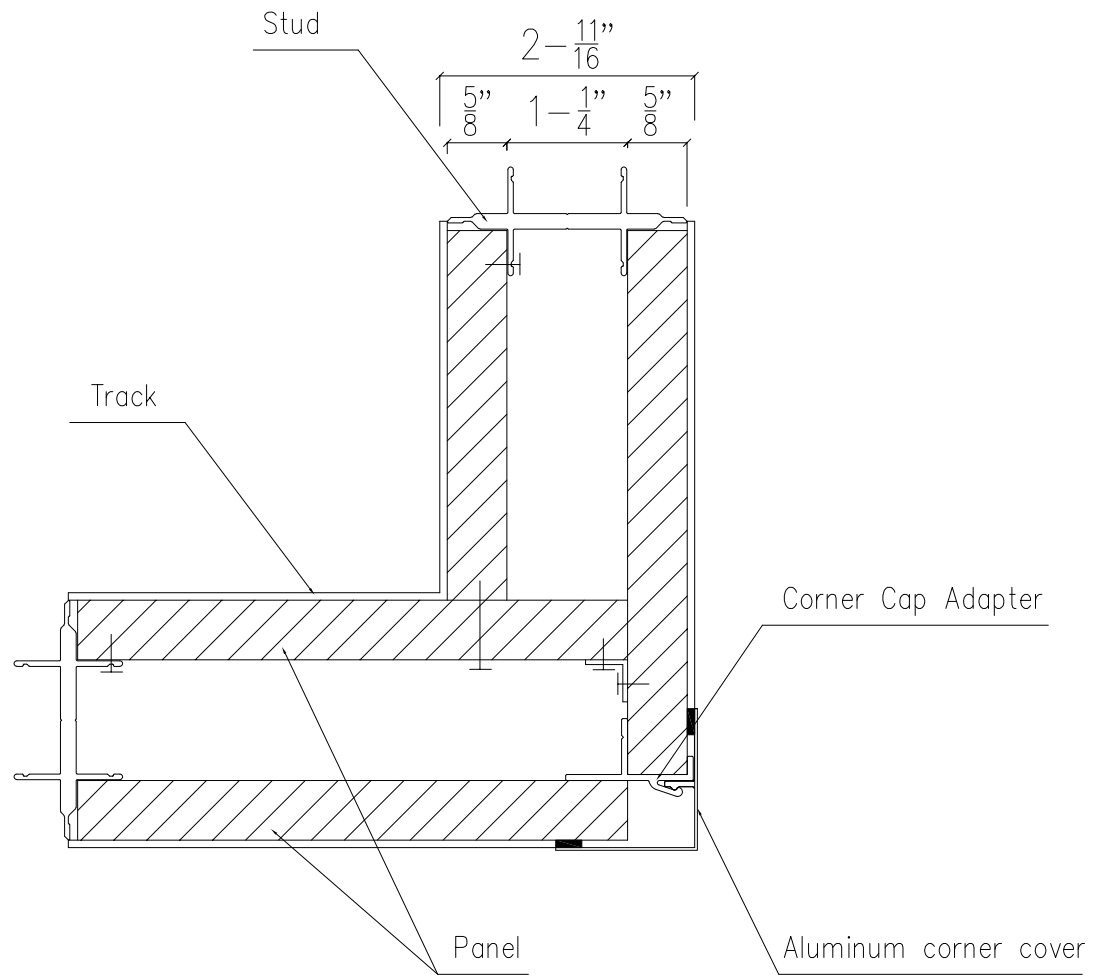
DRAWING TITLE:
FLOOR CONNECTION MODEL



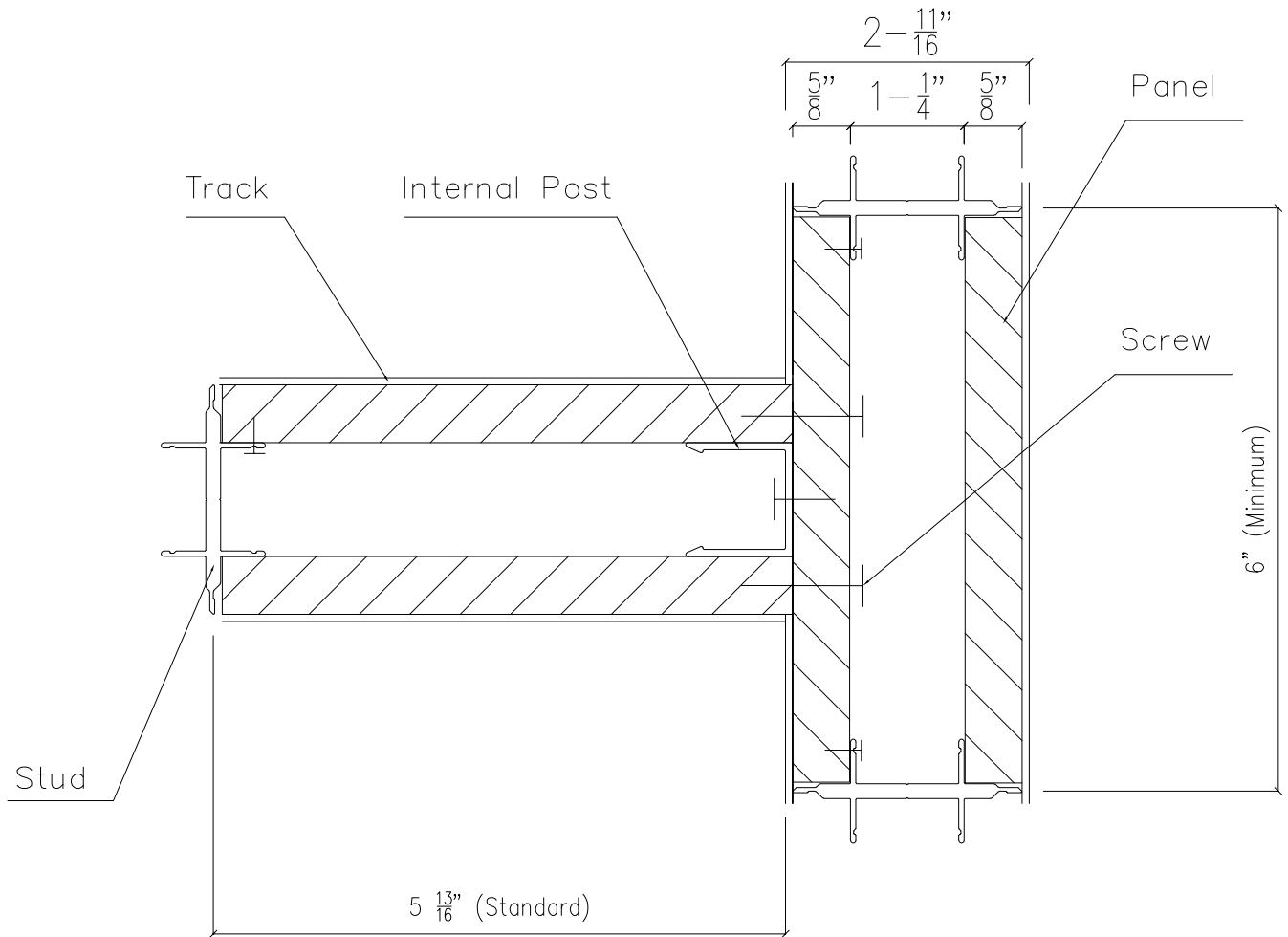
DRAWING TITLE:
ELECTRIC MODEL



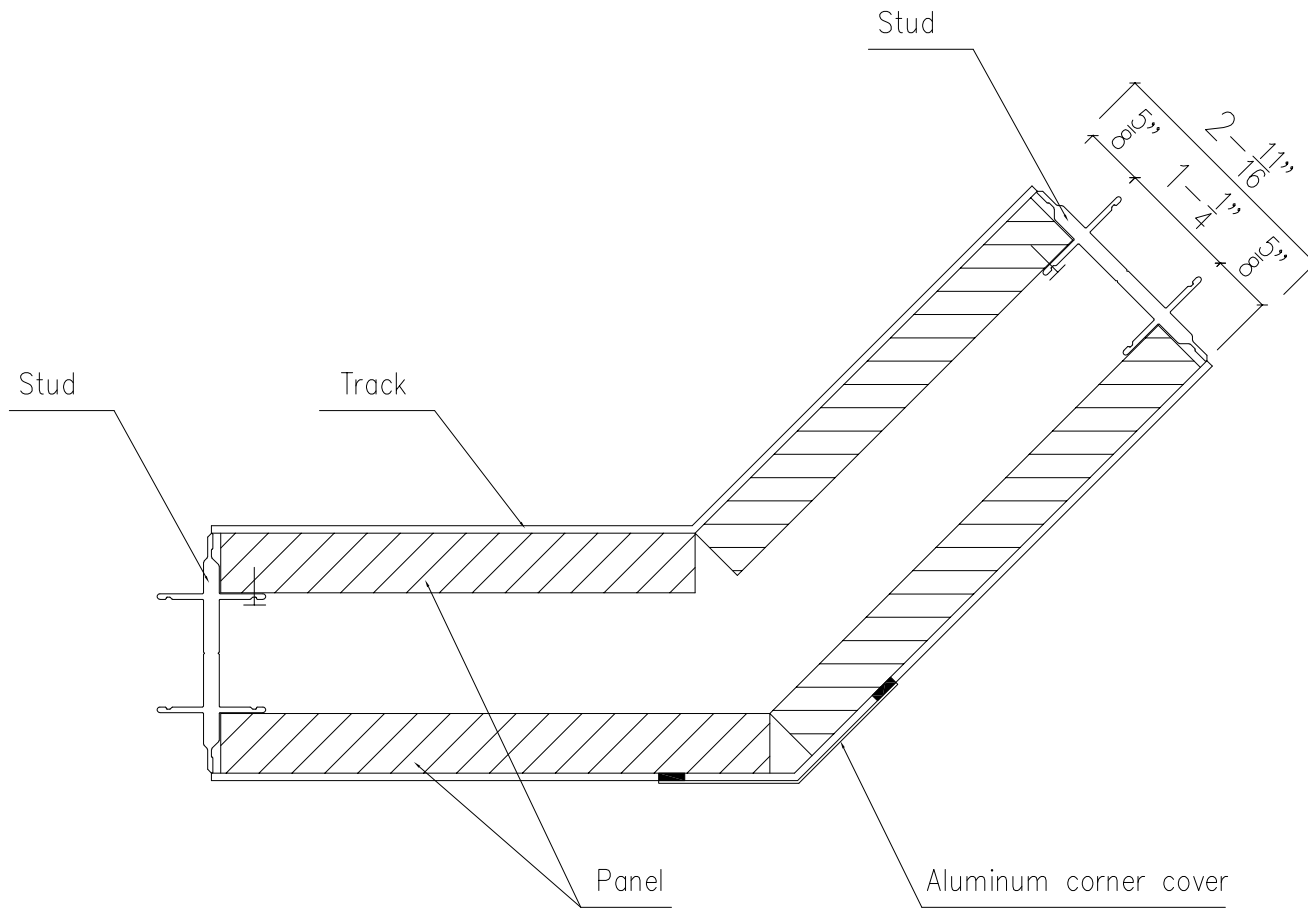
DRAWING TITLE:
 WALL START MODULE



DRAWING TITLE:
CORNER CONNECTOR

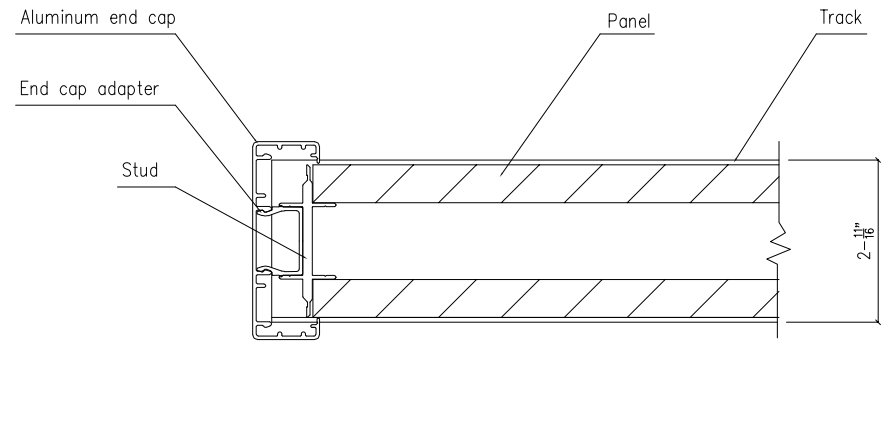
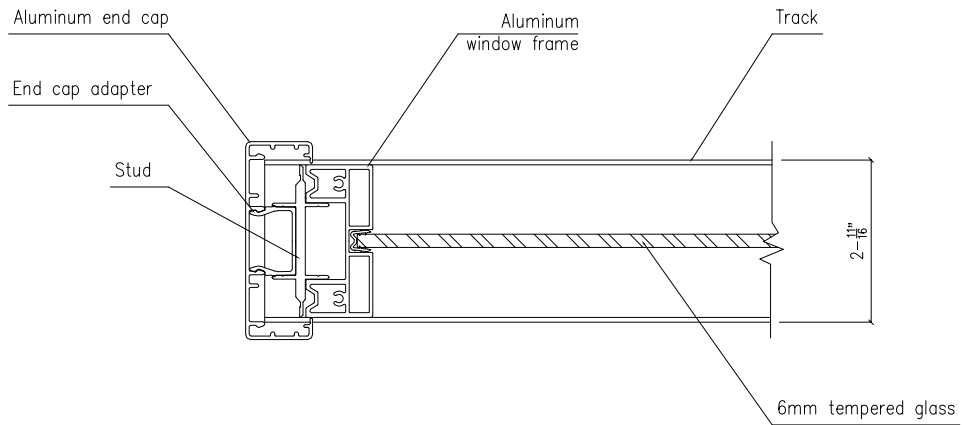


DRAWING TITLE:
 T CONNECTOR



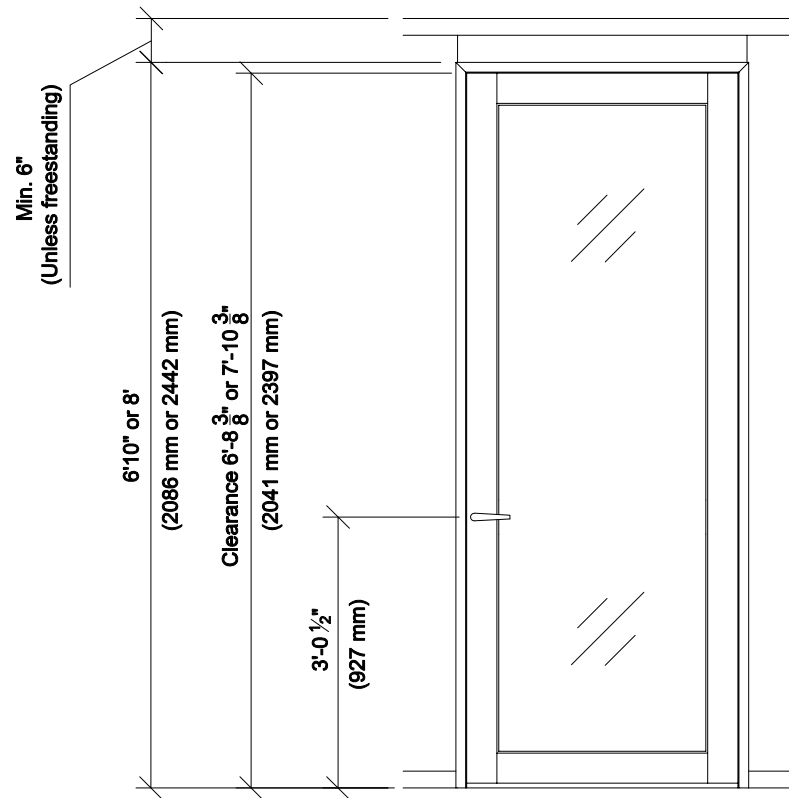
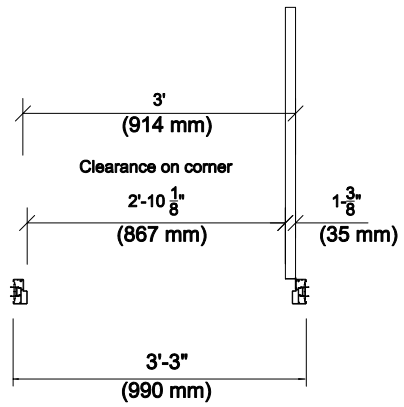
DRAWING TITLE:

45° CORNER CONNECTOR

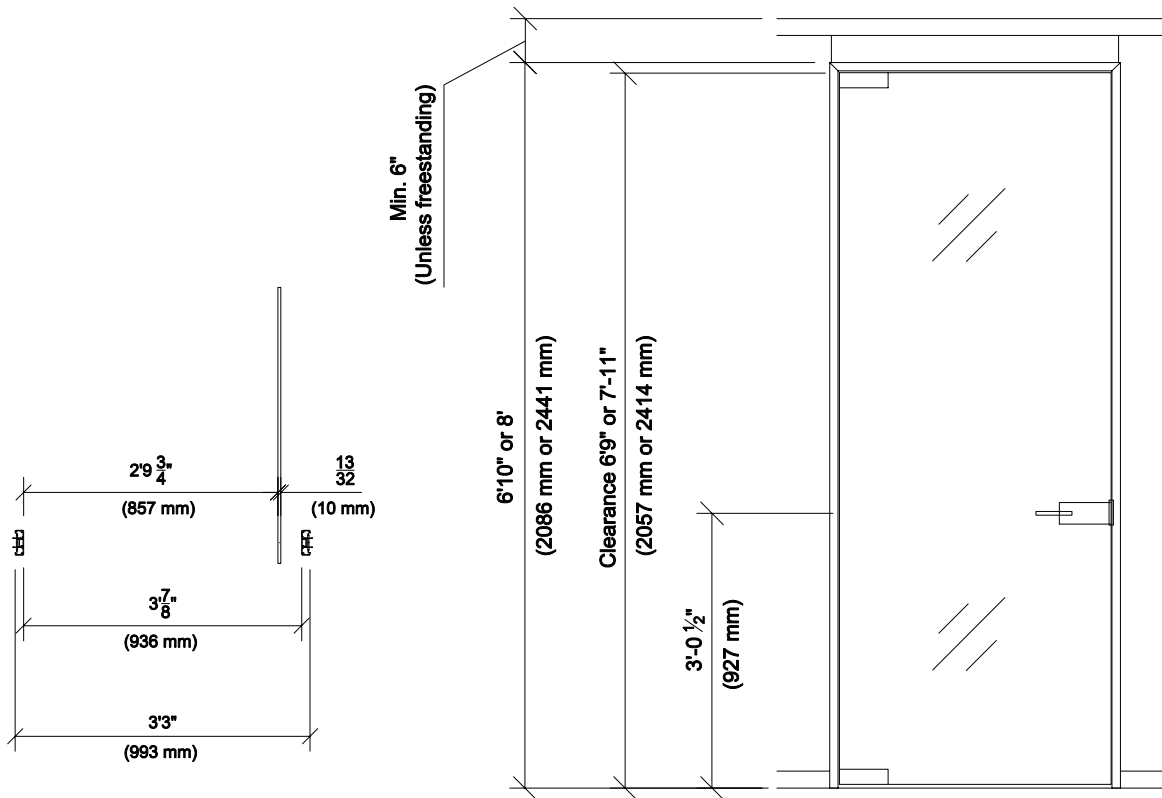


DRAWING TITLE:

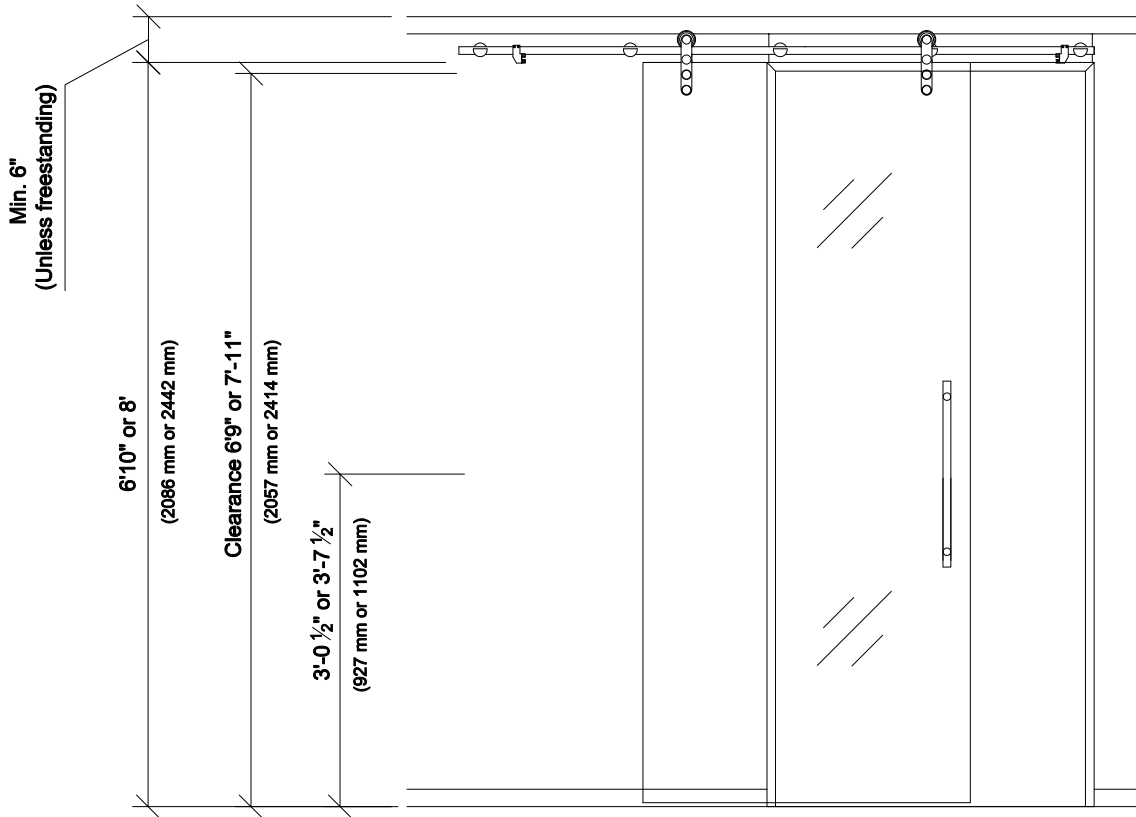
WALL END MODULE



DRAWING TITLE:
GLASS SWING DOOR MODEL



DRAWING TITLE:
FRAMELESS PIVOT DOOR MODEL



DRAWING TITLE:
GLASS BARN DOOR MODEL